

KHA CITY 12

PERFORMANCE
IN LIGHTING

powered by
GEWISS



Pathway bollard series. Fixtures consist of:

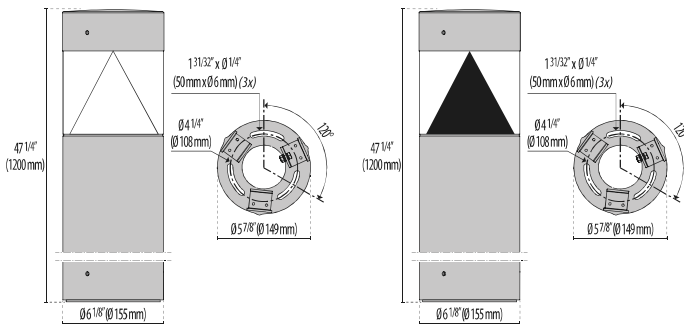
- Multi-step powder-coat painting process, optimized against UV rays and corrosion.
- Copper-free (<1%) precision die-cast aluminum housing and top cap.
- Copper-free (<1%) aluminum extruded post.
- Corrosion-resistant AISI 316 stainless steel post and top cap.
- Clear UV-stabilized, high-impact resistant diffuser.
- Custom molded, anti-aging gasket(s).
- Stainless steel external hardware.
- Internal specular reflector coated with 5-layers of PVD 99.98% pure aluminum providing >95% reflection.
- Custom MCPCB utilized to maximize heat dissipation and promote long LED life.
- High-transparency polycarbonate optics for optimized light transmission.
- Type III light distribution.
- Type V light distribution.

- Input voltage: 120-277 V (50 / 60 Hz), integral driver.
- The luminaire may be configured with numerous options and multiple standard finishes. Not all options are available in all configurations. Consult factory for more information about specification sheet details to build your light.
- Steel ground base plate included for bollards.
- Anchor bolts available for bollards (ordered separately).
- Concrete installation fixing rods available (ordered separately).
- Suitable for most coastal applications (stainless steel versions).
- Product meets Buy American Act (BAA) requirements within ARRA.
- 5-year warranty.



FINISHES

- AN-96 / Iron gray / Textured
- BK-81 / Black / Textured
- INOX / Stainless steel / Matt
- GR-94 / Aluminum metallic / Textured
- WH-87 / White / Textured
- RB-10 / Iron rust / Textured



KHA CITY 12

KHA CITY COMFORT 12



Scan here for
installation instructions

PERFORMANCE IN LIGHTING reserves the right to make all necessary changes without prior notice

PERFORMANCE IN LIGHTING USA, Inc.
2621 Keys Pointe Conyers GA 30013 - United States
Tel: 770 822 2115

info.usa@pil.lighting
www.performanceinlighting.com/us

REVISION 04
03/24

Order Guide – KHA CITY 12



Order code example: KHACTION12-47-20W-T3-4K-BK-UNV-0-10V

SERIES	Bollard Height	Wattage	Optics	CCT	Finish	Voltage	Controls	Accessories
KHACTION12 Kha City 12	47 47 inch*	10W 10 watt	T3 Type 3* 20W Max	22K 2200K	BK Textured Black*	UNV 120-277V*	NA Non Dim	SB Square Base
KHACTION12C Kha City Comfort 12	24 24 inch (min)	15W 15 watt	T5 Type 5* 23W Max	27K 2700K	IG Iron Gray*	120V 120V Only	0-10V 0-10V Dim*	EMPK Integral 15W EMPK
KHACTION12M Kha City Marine 12 Stainless Steel Only	XX Specify bollard height must be within range	20W 20 watt* 23W 23 watt* XX Specify wattage must be within range		3K 3000K* 35K 3500K 4K 4000K* 5K 5000K 57K 5700K 65K 6500K	AM Aluminum Metallic WH Textured White IR Iron Rust SS Stainless Steel *Marine Only CC Custom Color*	347V Integral Transformer 480V Integral Transformer	ELV ELV Dim Contact Factory For EMPK Battery Back up Options	
		*Standard Wattages T3- 20W T5- 23W						

STANDARD OPTION, SHORTER LEAD TIME, NO MOQ
 TEMPLATE AND ANCHOR BOLTS INCLUDED WITH FIXTURE
 80 CRI STANDARD - OTHER OPTIONS AVAILABLE

REQUIRED FOR INSTALLATION Included with Fixture

DESCRIPTION	FINISH	PART NUMBER
KHA CITY Concrete mounting adaptor with stainless steel plate and galvanised steel rods		14049320



14049320

OPTIONAL ACCESSORIES

DESCRIPTION	FINISH	PART NUMBER
KHA CITY BASE INOX FR KHA USA		07967



07967

LUMEN OUTPUT Distributed Lumen Output

KHA CITY 12 (80CRI)								
	2200K	2700K	3000K	3500K	4000K	5000K	5700K	6500K
10W COMFORT (Type III)	613	701	729	741	761	761	745	743
10W (Type III)	536	614	638	639	665	665	652	650
15W COMFORT (Type III)	913	1044	1086	1104	1133	1133	1110	1106
15W (Type III)	799	914	951	952	991	991	971	967
20W COMFORT (Type III)	1239	1417	1474	1499	1538	1538	1506	1501
20W (Type III)	1084	1240	1290	1292	1345	1345	1317	1313
10W COMFORT (Type V)	715	818	851	859	895	895	876	874
10W (Type V)	846	968	1007	1017	1060	1060	1038	1034
15W COMFORT (Type V)	1063	1216	1265	1278	1330	1330	1303	1299
15W (Type V)	1258	1439	1497	1512	1575	1575	1542	1537
23W COMFORT (Type V)	1643	1879	1955	1974	2056	2056	2014	2007
23W (Type V)	1944	2224	2313	2337	2434	2434	2384	2376

80 CRI STANDARD - OTHER OPTIONS AVAILABLE